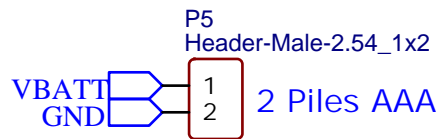
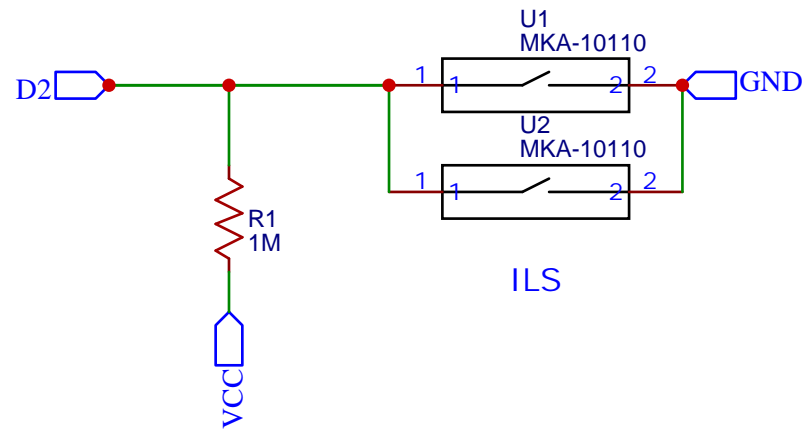
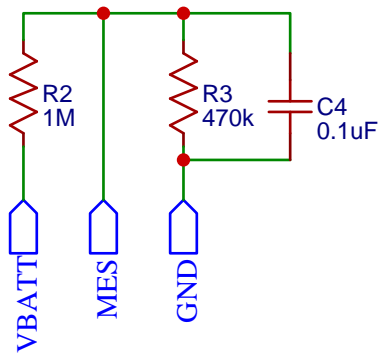


Mesure batterie



TITLE: Carte 1 entr é e ILS		REV: 1.0
	Company: Your Company	Sheet: 1/1
	Date: 2019-03-05	Drawn By: Jean-luc Blanda